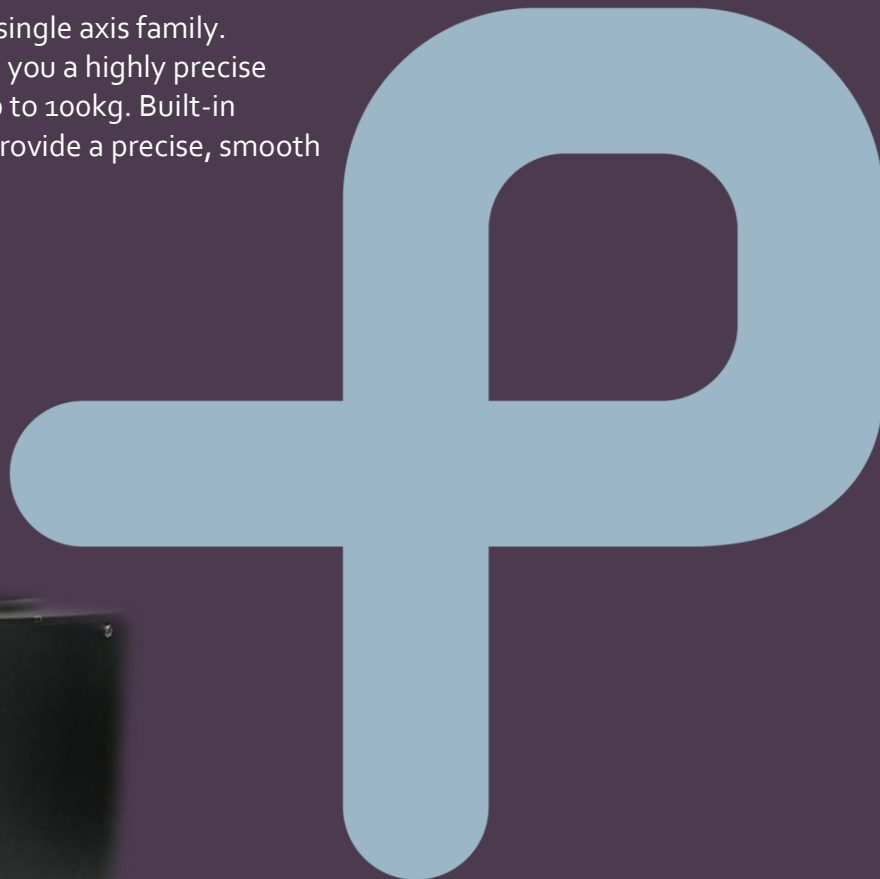


# CHEETAH-350 PAN (Single Axis) SYSTEM

## CHEETAH-350

CHEETAH-350 is a member of the single axis family. Its compact economic design gives you a highly precise movement supporting payloads up to 100kg. Built-in control, electronics and software provide a precise, smooth motion at all speeds.



## CHEETAH-100 PAN (Single Axis) SYSTEM

### CHEETAH-350

CHEETAH-350 is a member of the single axis family.

Its compact economic design gives you a highly precise movement supporting payloads up to 100kg. Built-in control, electronics and software provide a precise, smooth motion at all speeds.



## CHEETAH-350 PAN (Single Axis) SYSTEM, General Specification

Product Line: CHEETAH-350	
Type	Round- Shape
Payload Type	Antenna / Radar
Azimuth / Pan movement	Nx360°
Self-Weight [kg]	~12.5
Control mode	Speed / Position
Communication	Ethernet TCP / RS232 / RS422
Environmental protection	IP65, Humidity, Temperatures & more...
Power consumption [V] [A]	48V & 8Amp
max Payload (balanced) [kg]	100
Max Acceleration [°/Sec <sup>2</sup> ]	150
Speed (balanced) [°/Sec]	0.1-180
Position Accuracy [°]	±0.1
Position Sensor Encoder	Absolute
Resolution [°]	0.0027
Stabilization systems	
Stabilization Accuracy [°]	-
Stabilization Sensor	-
Tracker systems	
GPS Stabilization by Datum point	-
GPS Units	-

(\*) Payload dependent

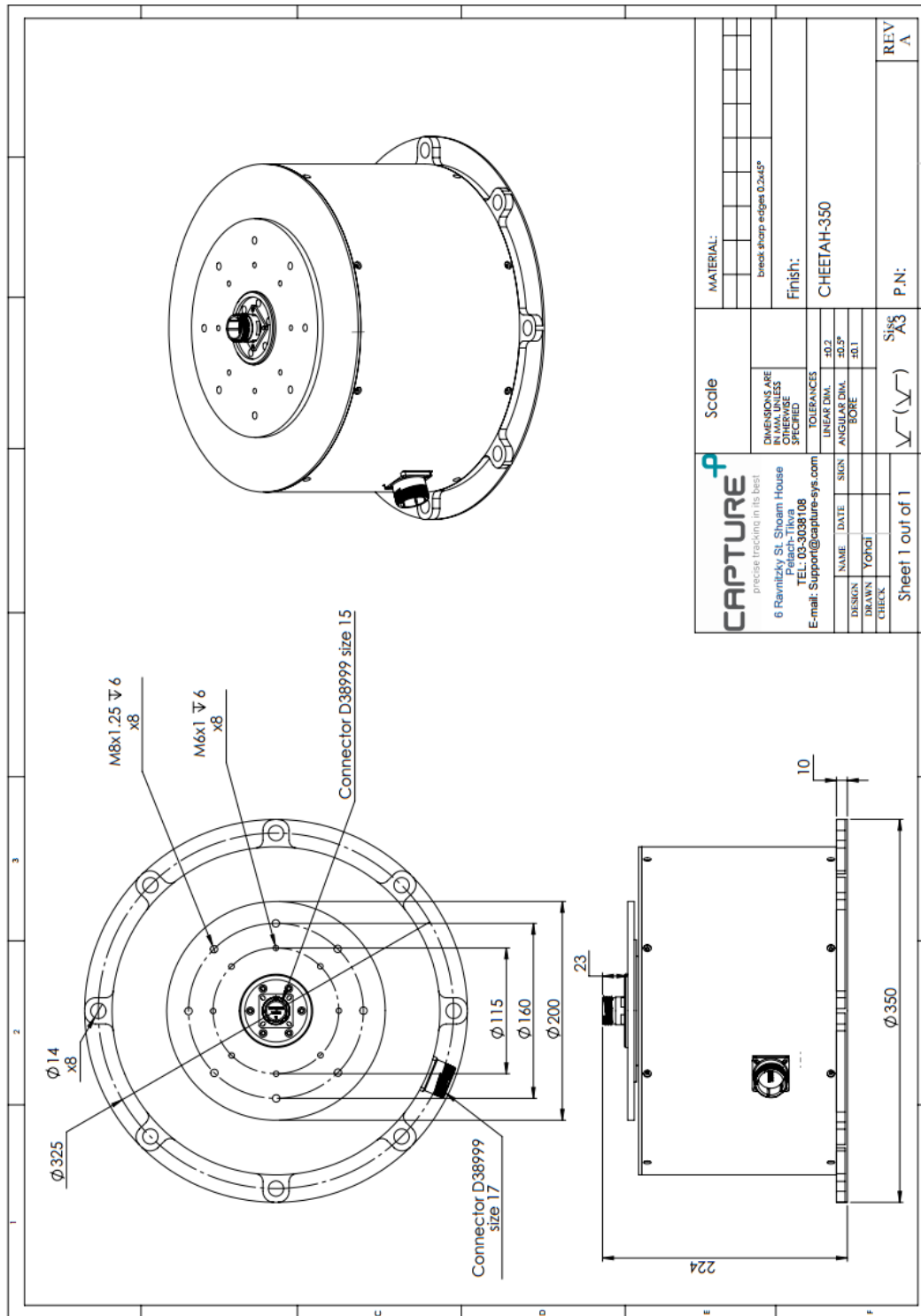
(\*\*) mechanics & power dependent

(\*\*\*) mass, balance & power dependent

## CHEETAH-350 PAN (Single Axis) SYSTEM, GUI Pannell

Parameter	Specification	Notes
Communication	Ethernet (TCP)	
Operation mode	Manual	
Control mode	Speed / Position	
Operation	Manual arrows controlled by user	
Presets	Up to 15 saved points	
Register Status	Online state of system registers	
Software limit switches	User defined software limit switches for both axes	
Homing	Homing position declaration	
IP Setting	Ability changing system IP addresses & port	

# CHEETAH-350 PAN (Single Axis) SYSTEM, MICD



<b>CAPTURE<sup>P</sup></b> precise tracking in its best		<b>Scale</b>		<b>MATERIAL:</b>	
6 Ravnitzky St. Shoham House Petach-Tikva TEL: 03-3038108 E-mail: Support@capture-sys.com		DIMENSIONS ARE IN MM UNLESS OTHERWISE SPECIFIED		break sharp edges 0.2x45°	
DESIGN	NAME	DATE	SIGN	Finish:	CHEETAH-350
DRAWN	Yohai				
CHECK					
Sheet 1 out of 1		TOLERANCES		P.N.:	
		LINEAR DIM. ±0.2		Sigs	
		ANGULAR DIM. ±0.5°		A3	
		BORE ±0.1		REV	
				A	