

ONCILLA M1

Pan & Tilt System



| General Specifications

Payload Type	Antenna / Camera / Satellite
Azimuth / Pan movement	±180°
Elevation / Tilt movement	±90°
Self-Weight	3 kg
Control mode	Speed / Position
Communication	Ethernet TCP (Option - RS232)
Environmental protection	IP66
Power consumption	24V & 3Amp
Max Payload (balanced)	Up to 10 kg
Max Acceleration	100 °/Sec ²
Speed (balanced)	Up to 300 °/Sec
Position Accuracy	±0.005 ° (18 bit absolute Encoder)
Payload mounting options	Side mount / Top mount



PAYLOAD
UP to 10 kg

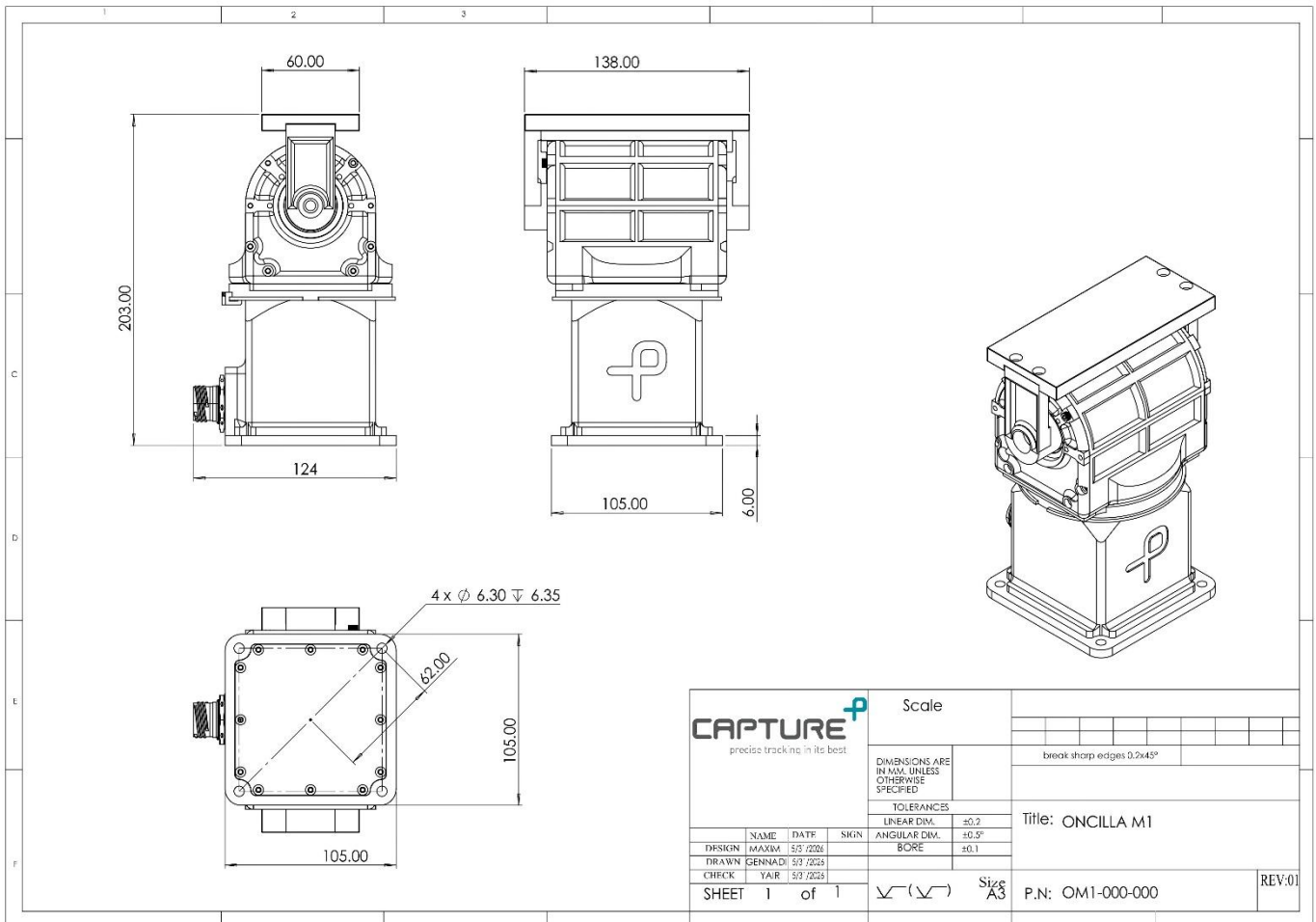


POSITION ACCURACY
±0.005 °



SPEED
Up to 300 °/Sec

| MICD



<p>precise tracking in its best</p>				Scale		
				DIMENSIONS ARE IN MM, UNLESS OTHERWISE SPECIFIED		break sharp edges 0.2x45°
				TOLERANCES		Title: ONCILLA M1
				LINEAR DIM.	±0.2	
				ANGULAR DIM.	±0.5°	
				BORE		±0.1
DESIGN	NAME	DATE	SIGN			P.N: OM1-000-000 REV:01
DRAWN	GENNADI	5/3/2006				
CHECK	YAIR	5/3/2006				
SHEET	1	of 1		<input checked="" type="checkbox"/> (✓) Size AS		

Pictures are for illustration purposes only.



Contact us at:

CAPTURE SYSTEMS LTD,
 Ravnitzky St.6, Petach Tikva, Israel
 Phone: +972-3-3038108
 Fax: +972-3-6200621
 sales@capture-sys.com
 www.capture-sys.com